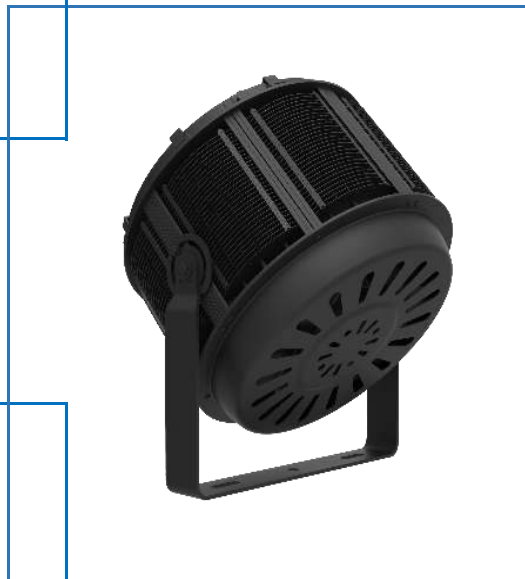




Designed for Deep water systems
360° Three-dimensional heat
dissipation optimized thermal solution



Specifications

Electrical

MeanWell driver: 2x HLG-240H-36A
Input Voltage: 100-240VAC
227VAC for North America only
Frequency: 47-63Hz
Power Consumption: 500-510 watts
PF (Power Factor) 0.980
Input Current (Amps) 2.336
Input Voltage (V) 220
Output Voltage (V) 36
Electrical outlet: Region appropriate

Dimensions

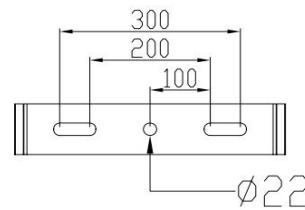
Diameter: 17.5" (445mm)
Height: 12" (305mm)

Weight

Light Unit Weight: 33 lbs (15kg)
Power Supply Weight: 11 lbs (5kg)

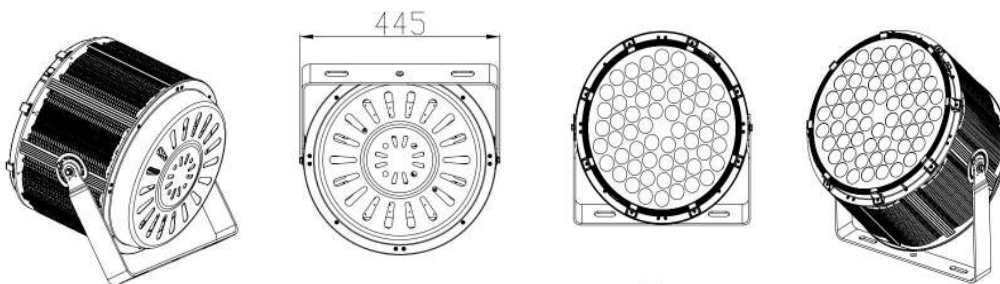
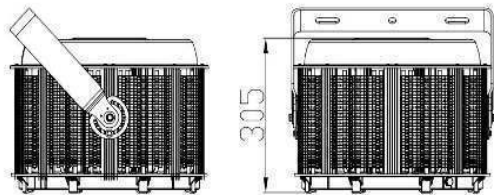
Color/Materials

Light Unit Body Material:
Black high quality Aluminum Fin
with copper heatpipe
Tempered Glass Cover



Cords

Power extension cord
with waterproof connector
from light unit to power
box: Total 118" (3m)
Power Cord: 59" (1.5m)



New LED Technology-Flip Chip LED

Orphek New LED Technology FlipChip White / Blue LED enables the next generation of lighting applications,gives customers complete design flexibility.



Features

- Allow for direct attach and reflow— no wire bonds for high reliability.
- Micro sized for design flexibility and high packing density.
- Small source size for highest luminance and beam control.
- Wide viewing angle provides increased uniformity.
- High efficacy at high drive current provides leading system level lm/\$.
- Low thermal resistance.

LEDs

240pcs 3 watts Flip Chip LEDs

LEDs Color Options

White : 3000K-18000K

Blue: 450-460nm

Lens Options

Aluminum Reflection Cup: 15/36/60 degree

Acrylic Lens: 5/12/24/36/60 degree



Package Dimensions / Weight

Length: 14" (357mm)

Width: 17.2" (438mm)

Height: 21.5" (547mm)

Package Weight: 48.5 lbs (22kg)

Package V.W.: 38.6 lbs (17.5kg)

