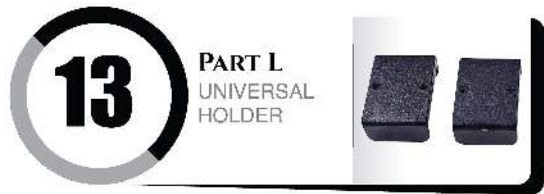
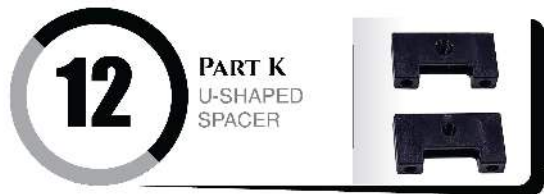


# VITAMINI

# UNIVERSAL HOLDER INSTALLATION GUIDE





1

With the **SMALL BLACK METAL SCREWS (PART H)**, screw the **HINGE (PART I)** onto the **VITAMINI WING (PART A)**, with the shiny side of the wing facing up towards you. Refer to Fig A.

please note the position of the preinstalled screw on the HINGE is away from the VITAMINI WING



Fig. A

2

Place the **U-SHAPED SPACER (PART K)** over the **HINGE** and with the **LONG SILVER SCREWS (PART J)** screw into the **UNIVERSAL HOLDER (PART L)**. Refer to Fig B and Fig C.



Fig. B



Fig. C



3

Now you may screw in the **LONG THICK PLASTIC SCREWS (PART E)** through the bottom of the **UNIVERSAL HOLDER (PART L)** and install the **RUBBER STOPPERS (PART G)** on the end of the screws. You may now also screw in the **LONG THIN PLASTIC SCREWS (PART F)** in the base of the **U-SHAPED SPACER**. Refer to Fig D.

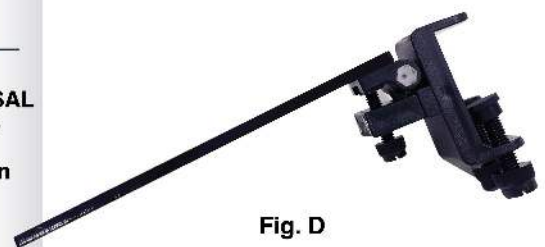


Fig. D

4

Place the **ACRYLIC HOLDER (PART B)** under the **WING**. Now thread the **MEDIUM THICK PLASTIC SCREW (PART D)** and the **SHORT THICK PLASTIC SCREW (PART C)** onto the **WING**.

**NOTE:** The **SHORT THICK PLASTIC SCREW** closest to the **HINGE** is used for adjusting the distance of your **VITAMINI**. Fully tighten when you're happy with your **ACRYLIC HOLDER** placement. The longer **MEDIUM THICK PLASTIC SCREW** (furthest from the **HINGE**) is used to hold the **VITAMINI** in place. Refer to Fig E.



Fig. E

5

Now very carefully slide your **VITAMINI** fixture in place by facing it to the side and rotating it into position. Refer to Fig F.

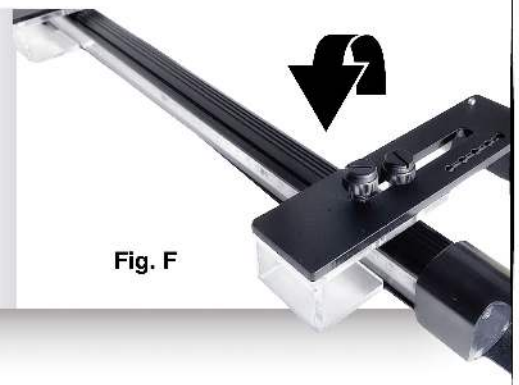
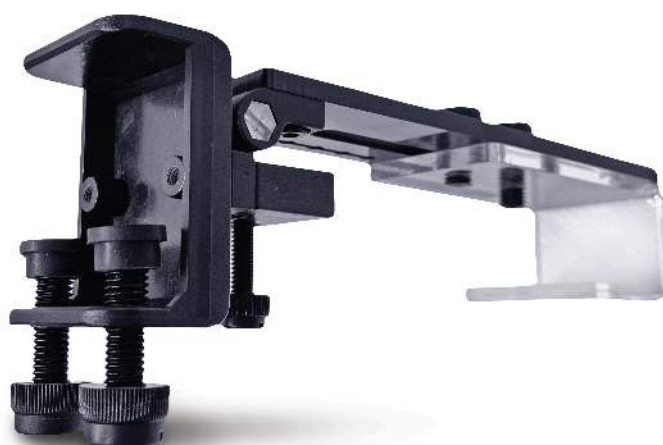


Fig. F

# VITAMINI

# UNIVERSAL HOLDER INSTALLATION GUIDE



Universal clamps & rotatable clip brackets on X4



Universal clamps & rotatable clip brackets on AI Hydra

