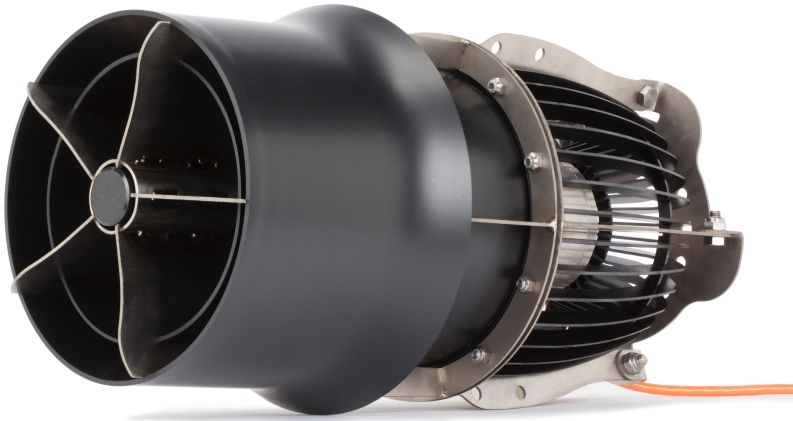


AFC400

Abyzz
Made in Germany



Product description

The innovative *Abyzz Flow Cannon AFC400* with its high-end design including a titanium rotor unit, titanium mounting frame and carbon fibre parts next to durable plastics consists of the pump itself and a powerful and programmable driver. Containing a very energy efficient motor and providing the exact adjustment for your application, it offers a very energy-saving solution.

The integrated bearing flushing provides optimum protection against calcification and, in conjunction with the silicon carbide bearings and special hard metal shaft, ensures low-maintenance operation.

All metal parts are made out of titanium grade 2 and other parts are made out of high quality PA, PVC and carbon fibre. This composition ensures a long lifetime, thus granting highest sustainability and lowest carbon footprint. Several mounting options are offered to suit any needs and due to many available mounting points, even a customer specific mounting can be done very easily. The special three-bladed prop and a well designed hydraulic lets the pump operate with almost no noise or vibration. An additional coat flow ring provides low output speed and a softened laminar flow. Easy programming (as in any Abyzz pump) and the possibility to link to external controllers offers a wide field of application.

The materials used are designed to have a long lifetime and meet the highest requirements and quality standards. This product is developed and manufactured in Germany by venotec.

„Made in Germany“

Warranty

The pump has a 1 year manufacturer warranty, after registration without additional costs the warranty is changed to a 10 year limited lifetime warranty according to our warranty rules.

Special features

- Variable speed range (0 - 100%)
- Programmable control system (e.g. wave and random modes)
- Comprehensive safety functions (e.g. dry run, temperature and overcurrent protection)
- Soft startup
- Bus interface for peripheral devices
- Lockable plug contacts
- Low-noise operation
- Wide range of mounting options
- Rock-stable mounting available (not included)

Applications

- Freshwater and seawater aquaristics
- Ponds
- Creeks
- Large scale aquariums
- Shark tanks

Technical data

Mounting only submersed, minimum submersion depth 0,6m.

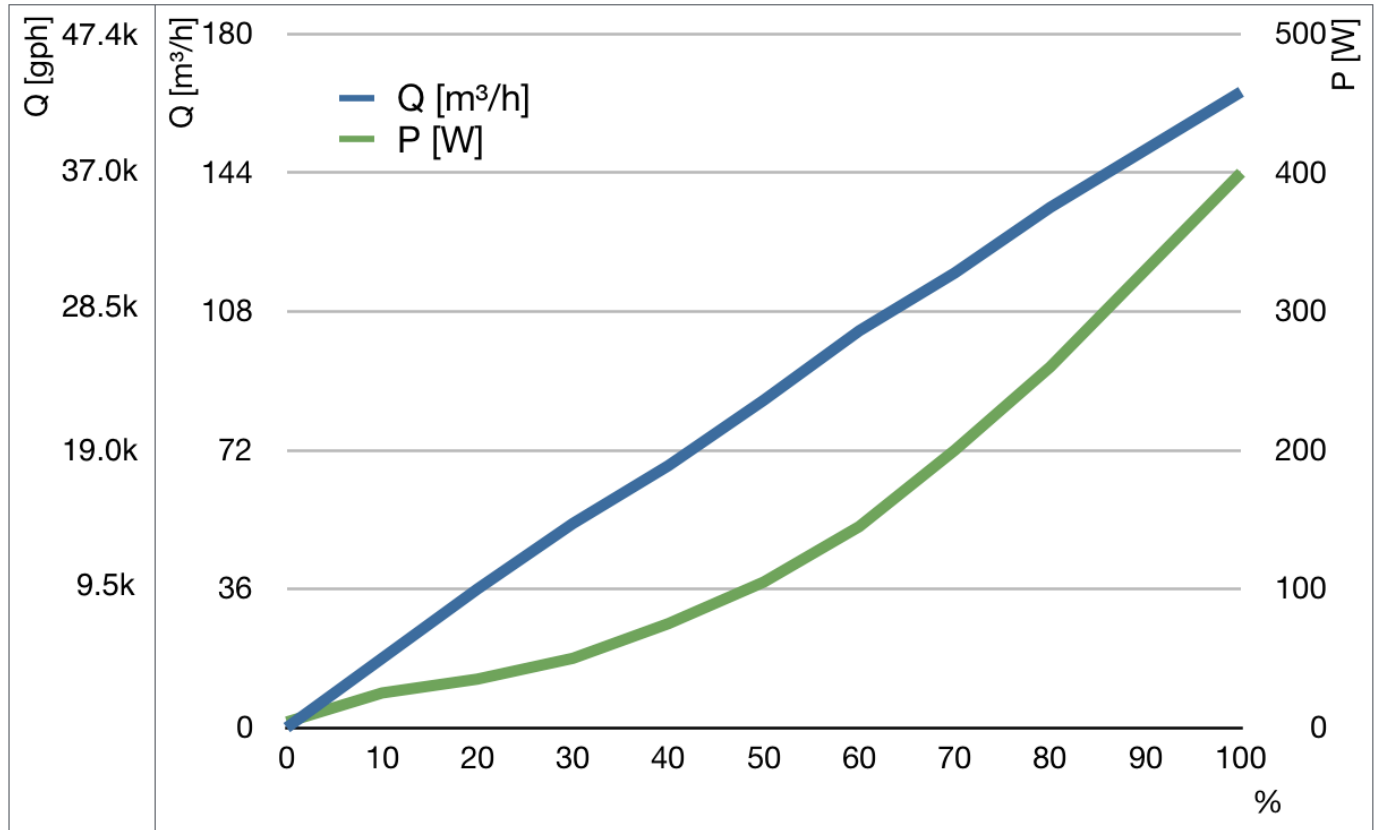
Flow (nominal)	: 165.000 l/h	(720 gpm)
Flow (max.)	: 220.000 l/h	(960 gpm)
Discharge speed (max.)	: 3,3m/s	(10ft/s)
Power consumption	: 4...400W	
Operating voltage	: 200...240V~ or 90...120V~	
Operating frequency	: 50...60Hz (mains)	
Ambient temperature	: +2°C...+40°C (driver)	
Immersion depth (max.)	: 8m	
Cable lenth (pump)	: 10m	

Scope of delivery

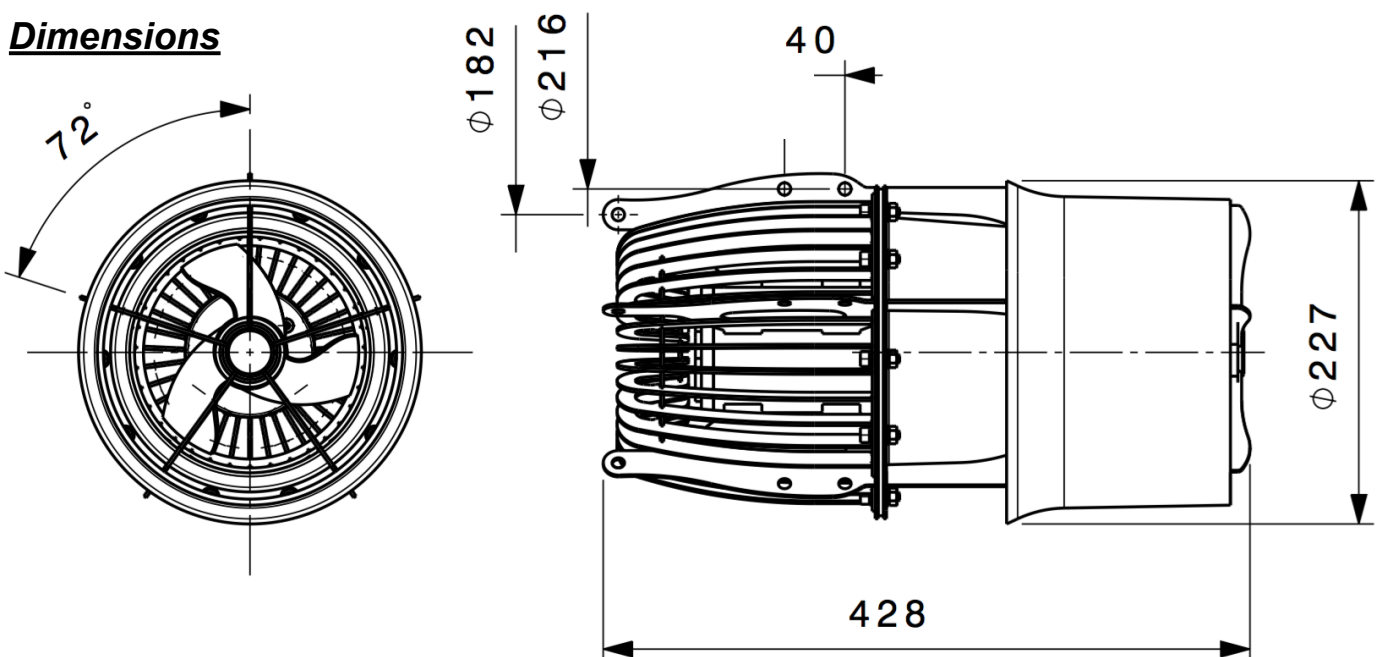
- *Abyzz* AFC400 pump and driver
- Power cable and connection cable
- Operation manual

AFC400

Characteristics



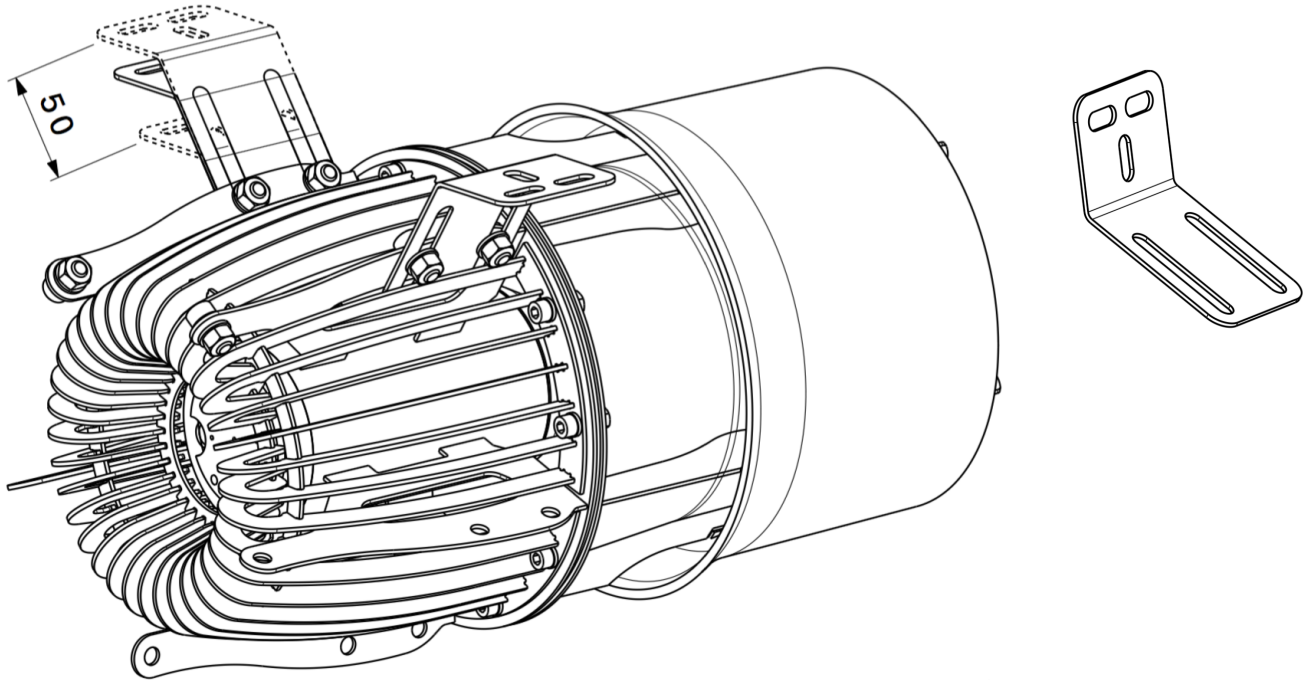
Dimensions



AFC400

Abyzz
Made in Germany

Mount option „wall“



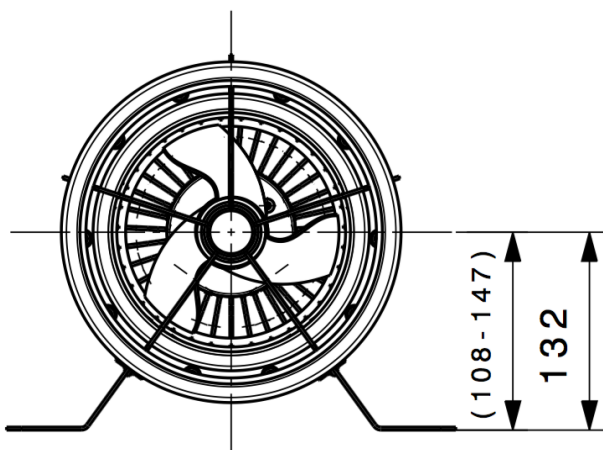
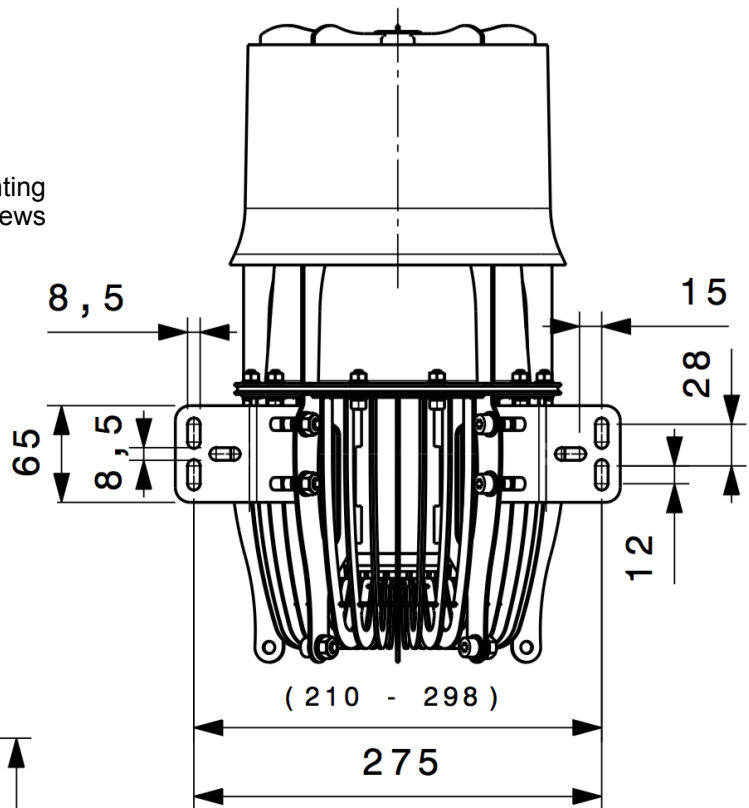
Wall mount

Designed for mounting on any flat surface. Mounting set consists out of 2 brackets (126°) and screws (pump side). Wall side screws not included.

Material: Ti Gd 2

Ordering code: **VA-AFCMA1**

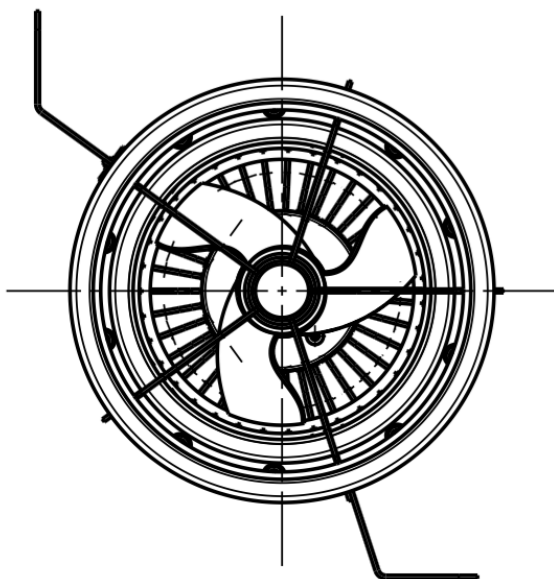
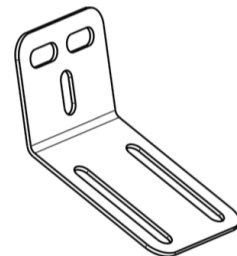
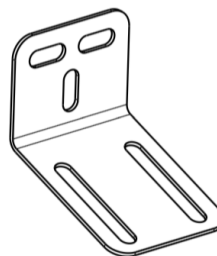
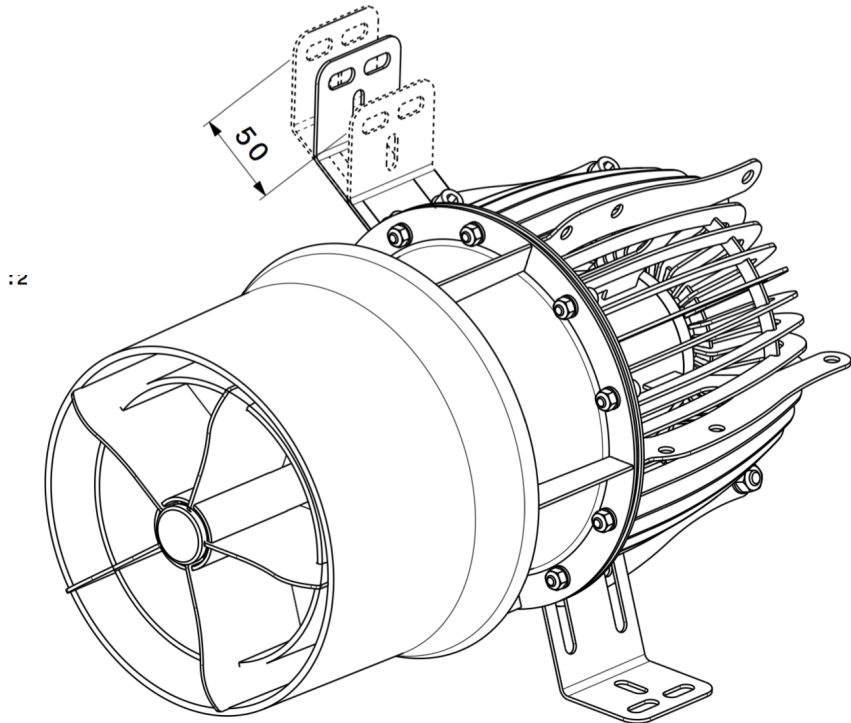
(All dimensions are mm)



AFC400

Abyzz
Made in Germany

Mount option „corner“



Corner mount

Mounting for any 90° corner. Set consists out of 2 brackets (108° & 126°) and screws (pump side). Wall side screws not included.

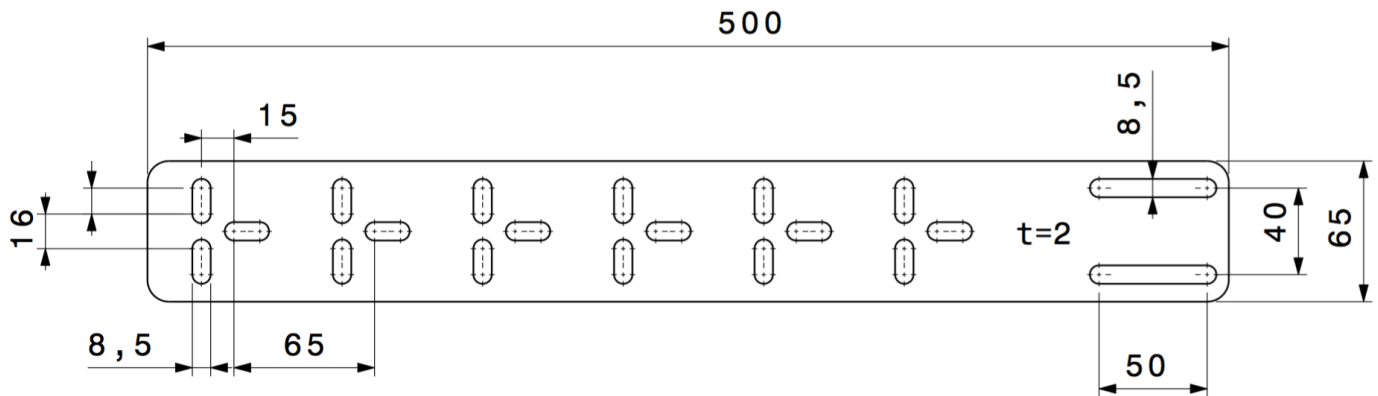
Material: Ti Gd 2

Ordering code: **VA-AFCMA2**

(All dimensions are mm)

AFC400

Mount option „reef“



Reef mount

Mounting rod for free mounting in any position. Can be bend anywhere to fit. Set consists out of 1 bracket and screws (pump side). Wall side screws not included.

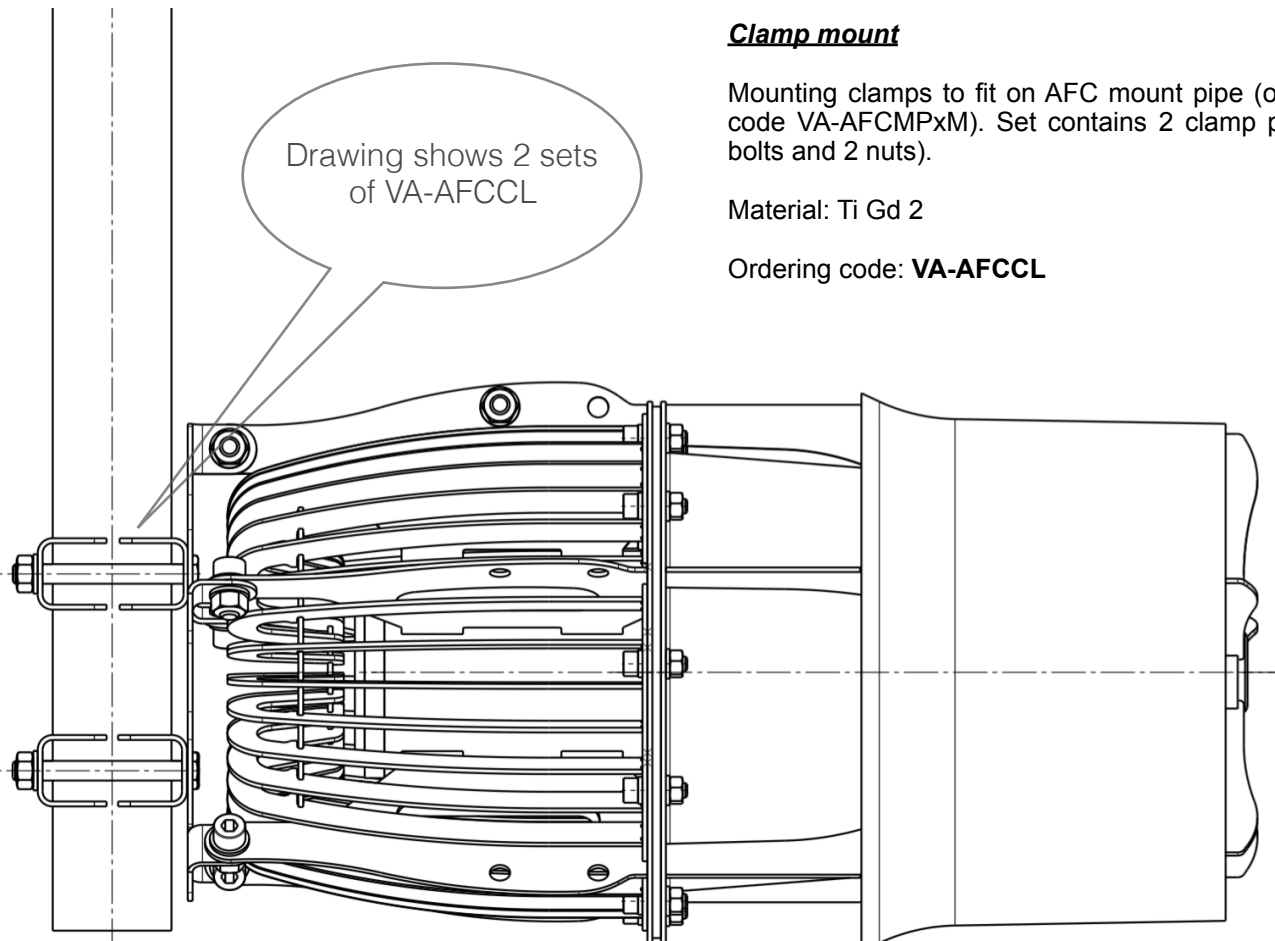
Material: Ti Gd 2

Ordering code: **VA-AFCMFH**

(All dimensions are mm)

AFC400

Mount option „clamp on pipe“

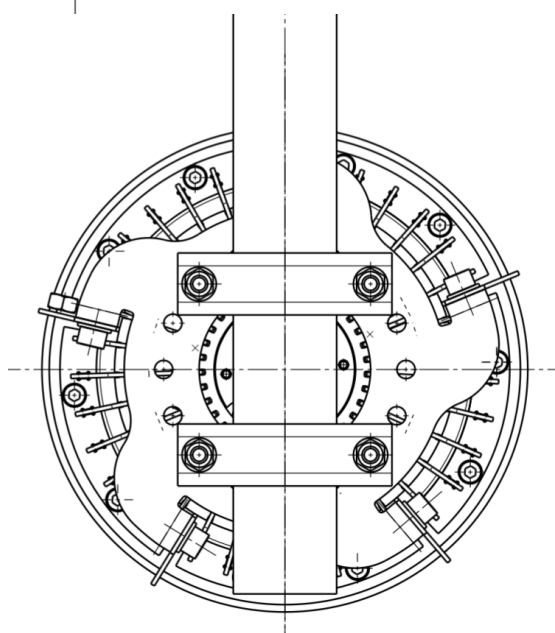


Clamp mount

Mounting clamps to fit on AFC mount pipe (ordering code VA-AFCMPxM). Set contains 2 clamp parts, 2 bolts and 2 nuts).

Material: Ti Gd 2

Ordering code: **VA-AFCCL**



Mount pipe

Titanium mounting pipe for submersed mounting. Fits for all Abyzz AFC pipe mount systems. Cable including plug can be hidden inside pipe for protection.

Material: Ti Gd 2

Ordering code: **VA-AFCMPxM**

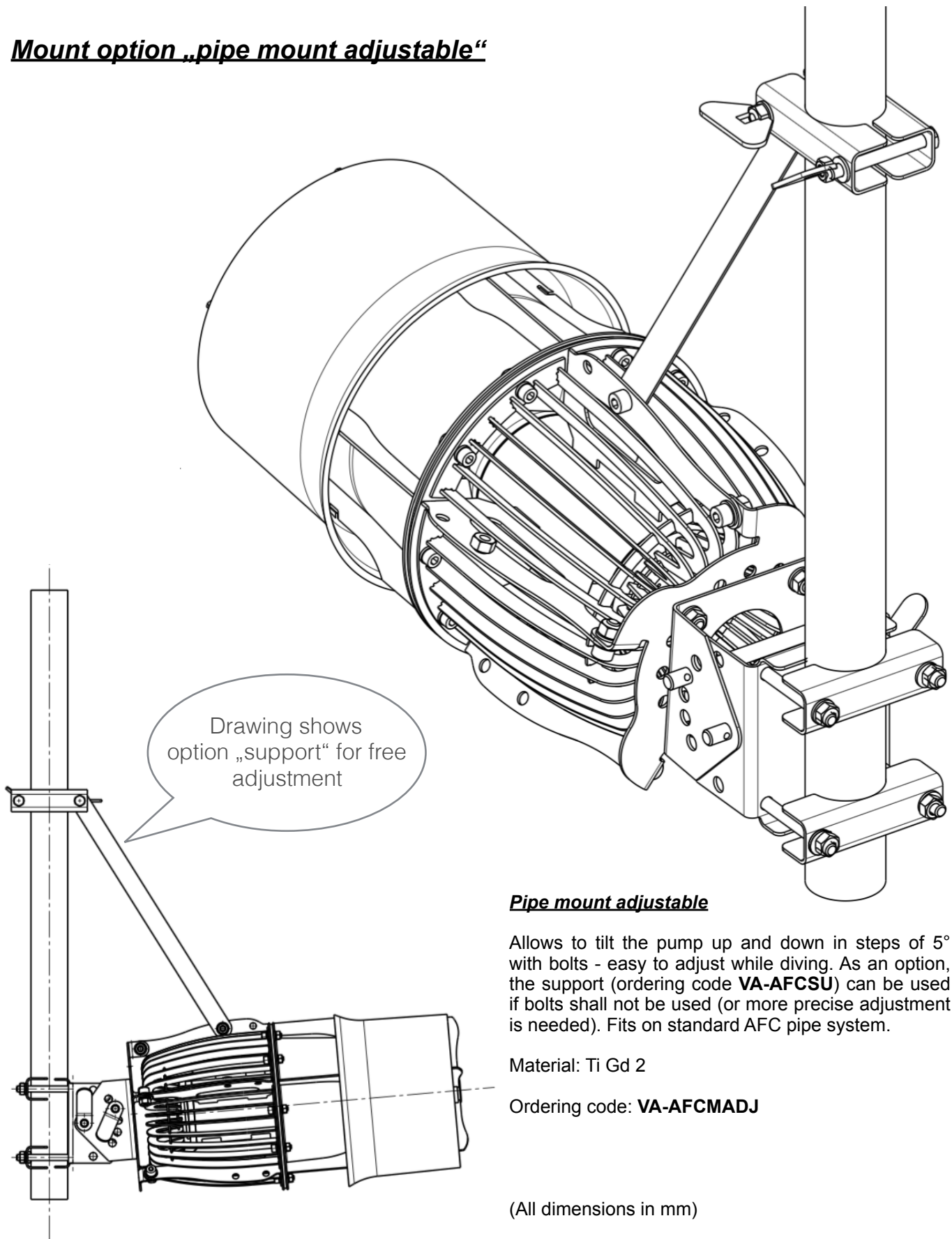
Length code: **VA-AFCMP0M5** 0.5m / 20"
VA-AFCMP1M 1m / 39"
VA-AFCMP2M 2m / 78"

(All dimensions in mm)

AFC400

Abyzz
Made in Germany

Mount option „pipe mount adjustable“



Pipe mount adjustable

Allows to tilt the pump up and down in steps of 5° with bolts - easy to adjust while diving. As an option, the support (ordering code **VA-AFCSU**) can be used if bolts shall not be used (or more precise adjustment is needed). Fits on standard AFC pipe system.

Material: Ti Gd 2

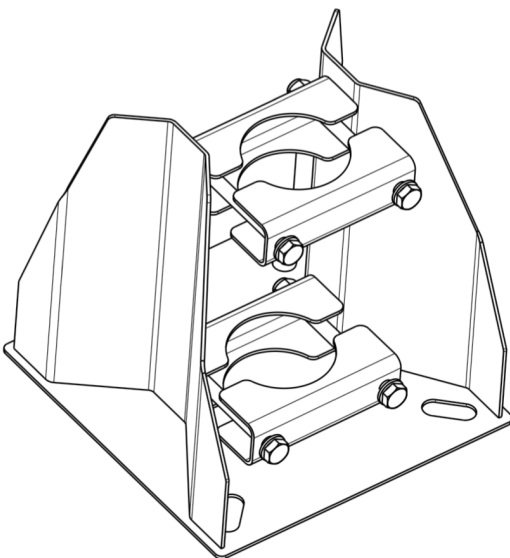
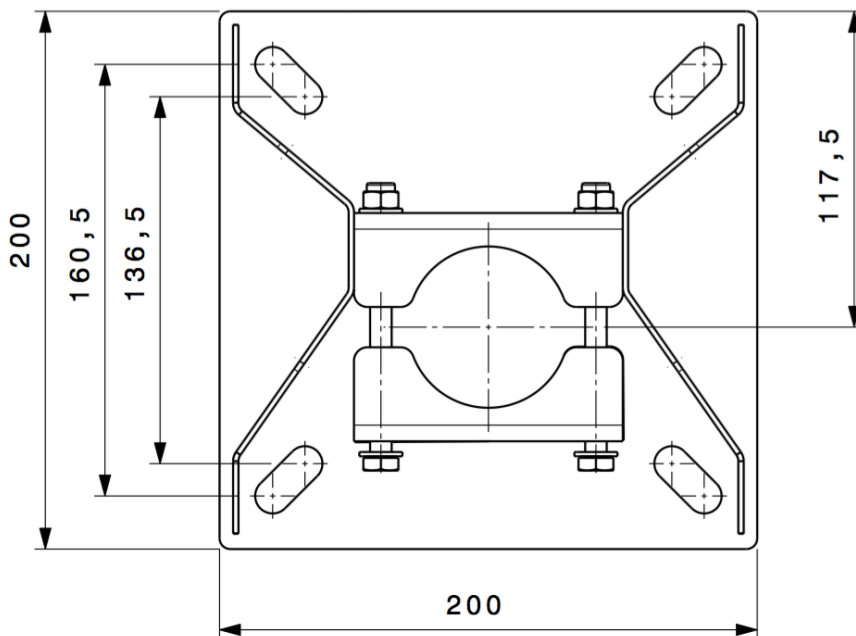
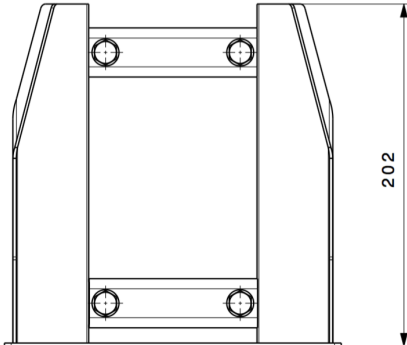
Ordering code: **VA-AFCMADJ**

(All dimensions in mm)

AFC400

Abyzz
Made in Germany

Pipe mount „ceiling“



Pipe mount ceiling

Allows to fix the Abyzz AFC pipe in a 90° angle to any surface, even under water. Massive titanium mounting plate to offer a stiff mount point for one or more AFC400. Set contains 1 mounting bracket for ceiling mount, 2 clamp parts and 4 bolts with nuts.

(Bolts for wall and shown pipe not included)

Material: Ti Gd 2

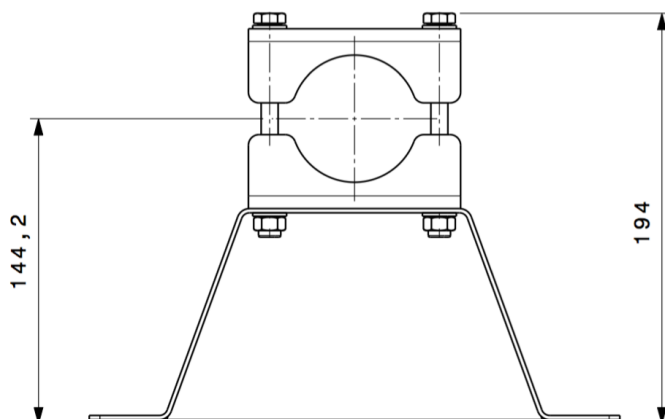
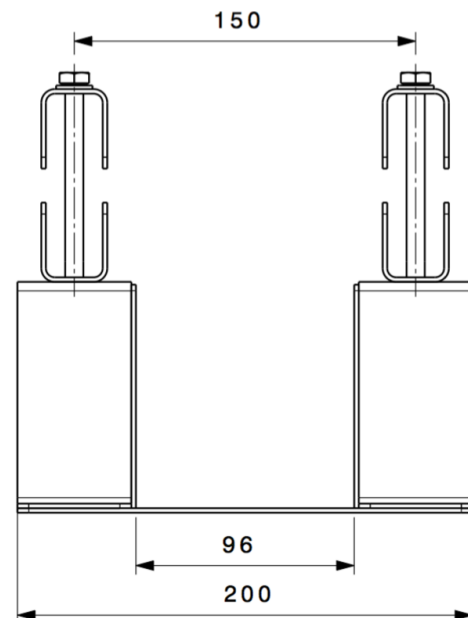
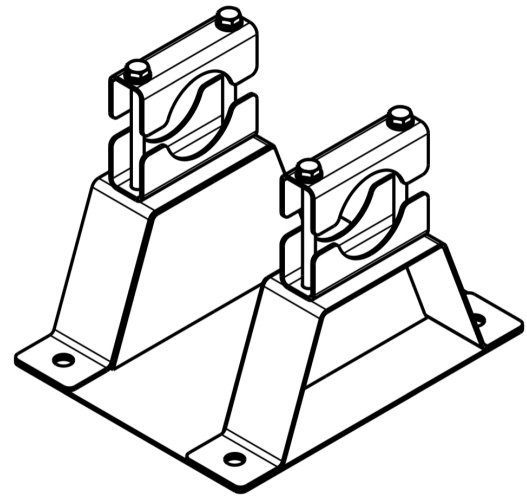
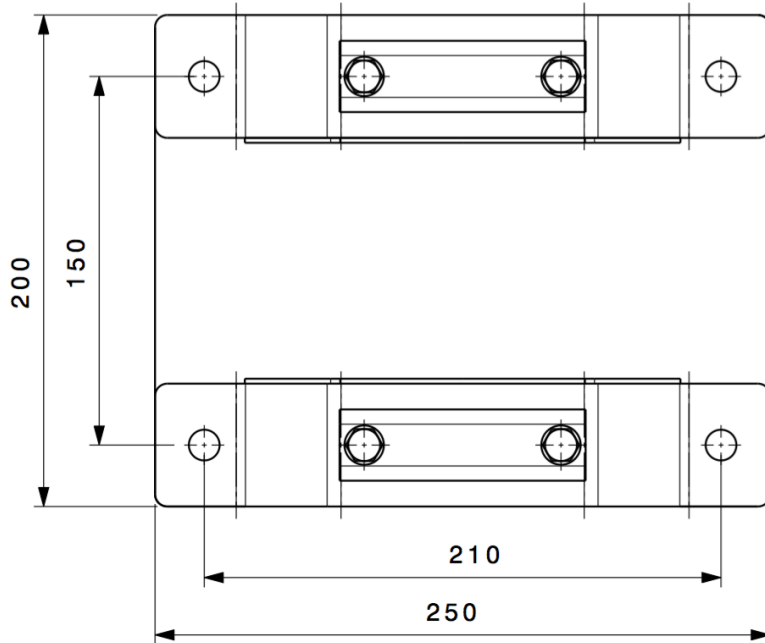
Ordering code: **VA-AFCCM**

(All dimensions in mm)

AFC400

Abyzz
Made in Germany

Pipe mount „wall“



Pipe mount wall

Allows to fix the Abyzz AFC pipe in parallel to any surface, even under water. Massive titanium mounting plate to offer a stiff mount point for one or more AFC400. Set contains 1 mounting bracket for wall mount, 2 clamp parts and 4 bolts with nuts.

(Bolts for wall and shown pipe not included)

Material: Ti Gd 2

Ordering code: **VA-AFCWM**

(All dimensions in mm)

AFC400



Not found what you need?

Please ask us, send us drawings and let us know, what you are looking for - we will do our best to help you with customer specific parts!